



# PanBlast™ Tornado Internal Pipe Blasting Tool

*"Surface Preparation  
Is Our Business"*

## **PanBlast™ Tornado Internal Pipe Blasting Tool**

The PanBlast™ Tornado Internal Pipe Blasting Tool is designed to clean the internal surfaces of pipes from 200mm (8") to 900mm (36") I.D. or up to 1525mm (60") I.D. with the use of the optional 50mm (2") contractor nozzle head and large carriage system. The tool is driven by the blast air supplying the two nozzles in the rotating blast head. The tool comes standard with a rotating blast head to suit fine threaded 19mm (3/4") blast nozzles and options of a large rotating head to suit 50mm (2") contractor thread blast nozzles and three carriages to suit small, mid and large diameter pipes.

The tool can be used with non-metallic and metallic abrasives and nozzles from 6.4mm (1/4") thru to 10mm (3/8") diameter.

## **PanBlast™ Tornado Internal Pipe Blasting Tool Features:**

- \* A customised thermoplastic sleeve and bleed air-venting configuration provides long tool service life and superior rotary joint sealing.
- \* A spring adjusted sealing arrangement offers positive sealing pressure and eliminates the need for tool adjustment during operation and frequent seal replacement.
- \* The use of a customized venturi injector in conjunction with a case hardened spindle tube arrangement for abrasive delivery provides reliable and efficient non-stop tool operation.
- \* A twin shoe speed limiter provides both superior speed control and rotational balance, thereby reducing tool vibration during operation.
- \* The use of dual seals minimizes dust ingress, providing added protection for the spindle bearings, resulting in reduced down time due to tool seizure and jamming.

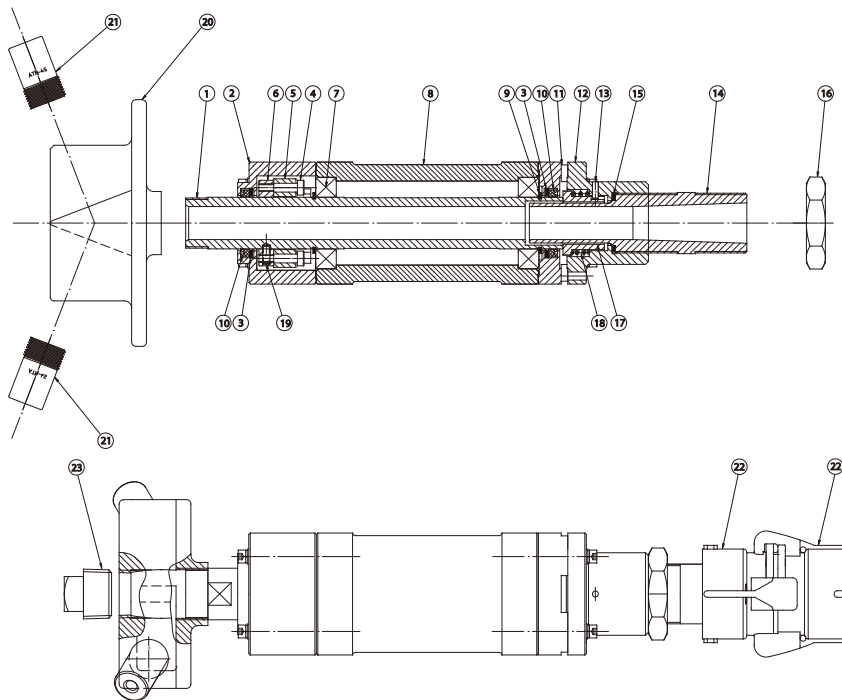


## PanBlast™ Tornado Internal Pipe Blasting Tool -

| Stock Code     | Description                             | Weight           |
|----------------|---|------------------|
| BAC-BA-0170-00 | Tornado Internal Pipe Cleaning Tool Set | 6.15kg (13.5lbs) |

## PanBlast™ Tornado Internal Pipe Blasting Tool Parts List -

| Item | Stock Code     | Description  | Qty  |
|------|----------------|--|------|
| 1    | YAC-BA-0195-00 | Tube   | 1    |
| 2    | YAC-BA-0217-00 | Centrifugal Speed Limiter Housing                    | 1    |
| 3    | YAC-BA-0189-00 | Felt Seal 47.5 OD x 37 ID x 2W                       | 2    |
| 4    | YAC-FN-0366-00 | Unbrako Shoulder Screw 6 O.D. x M5 x 16 LG           | 2    |
| 5    | YAC-BA-0218-00 | Centrifugal Speed Limiter Shoe                       | 1 PR |
| 6    | YAC-BA-0219-00 | Centrifugal Speed Limiter Support Ring               | 1    |
| 7    | YAC-BA-0191-00 | Bearing 35ID x 62OD                                  | 2    |
| 8    | YAC-BA-0192-00 | Body   | 1    |
| 9    | YAC-FN-0321-00 | External Circlip Dia 35mm                            | 2    |
| 10   | YAC-BA-0208-00 | U Seal   | 2    |
| 11   | YAC-BA-0207-00 | Seal Retainer  | 1    |
| 12   | YAC-BA-0185-00 | Base   | 1    |
| 13   | YAC-FN-0365-00 | Dowel Pin Dia 4 x 10mm LG                            | 1    |
| 14   | YAC-BA-0196-01 | Entry Nozzle   | 1    |
| 15   | YAC-BA-0197-00 | Rear Sealing Washer                                  | 1    |
| 16   | YAC-BA-0184-00 | Nut 1 1/4" BSP                                       | 1    |
| 17   | YAC-BA-0199-00 | Flanged Wear Sleeve                                  | 1    |
| 18   | YAC-BA-0198-00 | Spring   | 1    |
| 19   | YAC-FN-0367-00 | Screw Socket Set Flat Point M5 x 12mm LG             | 2    |
| 20   | BAC-BA-0134-00 | Small Rotating Head 3/4" BSP(P)/NPSM Thread          | 1    |
| 21   | BAC-NZ-PB-0055 | ATN-4S Aluminium Jacket-Tungsten Nozzle, Fine Thread | 2    |
| 22   | BAC-HC-PB-0009 | NTC-1 Nylon Coupling                                 | 3    |
| 23   | YAC-PF-0352-00 | Square Head Plug 1" NPT                              | 1    |
| 24   | BAC-BA-0206-00 | Large Rotating Head- 2" Thread Assembly (Optional)   | 1    |
| 25   | BAC-BA-0151-00 | Small Range Scissor Carriage (Optional)              | 1    |
| 26   | BAC-BA-0164-00 | Mid Range Carriage Set (Optional)                    | 1    |
| 27   | BAC-BA-0165-00 | Large Range Carriage Set (Optional)                  | 1    |



Blast Pots & Cabinets - Remote Control Valves - Abrasive Control Valves - Blast Nozzles - Nozzle Holders & Couplings - Helmets & Breathing Air Filters - Blast Suits