



## PanBlast™ ATN-S, ABN-S and ATN-M Blast Nozzles

*"Surface Preparation  
Is Our Business"*

The PanBlast™ ATN-S Short Series Nozzles feature tungsten carbide inserts, along with a 19mm (3/4") fine thread and a straight bore.



These nozzles have a narrower blast pattern than larger venturi nozzles, which makes them ideal for finer touch up work with smaller capacity blast pots.

The ABN-S Series of nozzles are the same as the ATN-S, however feature boron inserts instead of tungsten carbide. Boron provides for a lighter nozzle, as well as a longer wear life.

The PanBlast™ ATN-M Medium Series Blast Nozzles utilize the same fine 19mm (3/4") thread as the short Series nozzles, but also feature a longer, venturi style design.

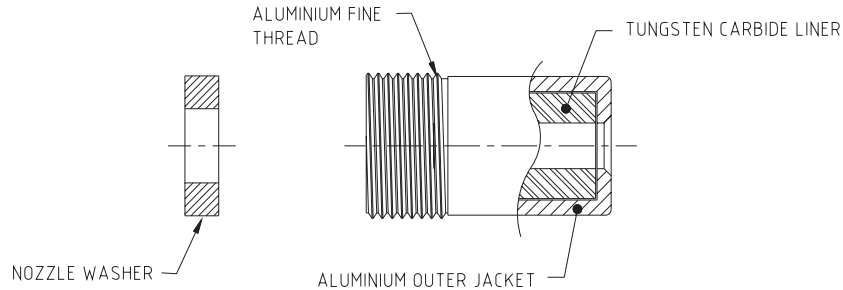
Being a venturi type nozzle, the Medium Series Nozzles provide much higher abrasive velocities than straight bore nozzles along with wider blast patterns.

These features combine to provide much faster cleaning rates, but still allows the Medium Series Nozzles to be used with smaller capacity blast pots, using only 12.5mm (1/2") blast hose.



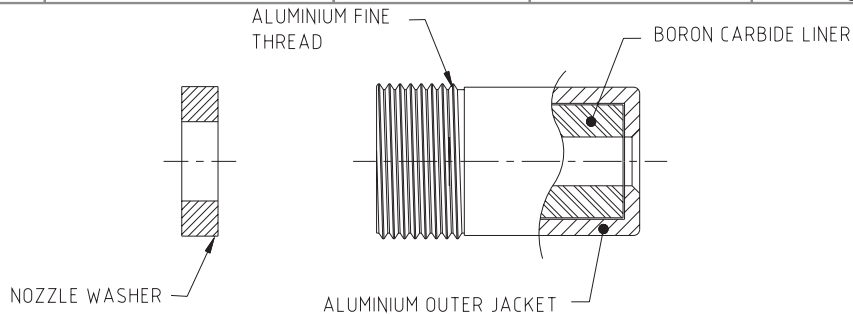
## PanBlast™ ATN-S Tungsten Carbide Fine Thread Nozzles -

Stock Code	Description	Orifice	Length	Weight
BAC-NZ-PB-0053	ATN-2S Aluminium Jacket	Φ3mm (1/8")	43.5mm (1 3/4")	0.19kg (0.42lbs)
BAC-NZ-PB-0054	ATN-3S Aluminium Jacket	Φ4.8mm (3/16")	43.5mm (1 3/4")	0.19kg (0.42lbs)
BAC-NZ-PB-0055	ATN-4S Aluminium Jacket	Φ6mm (1/4")	43.5mm (1 3/4")	0.18kg (0.40lbs)
BAC-NZ-PB-0056	ATN-5S Aluminium Jacket	Φ8mm (5/16")	43.5mm (1 3/4")	0.16kg (0.35lbs)
BAC-NZ-PB-0057	ATN-6S Aluminium Jacket	Φ10mm (3/8")	43.5mm (1 3/4")	0.15kg (0.33lbs)
BAC-NZ-PB-0058	ATN-8S Aluminium Jacket	Φ12mm (1/2")	43.5mm (1 3/4")	0.15kg (0.33lbs)



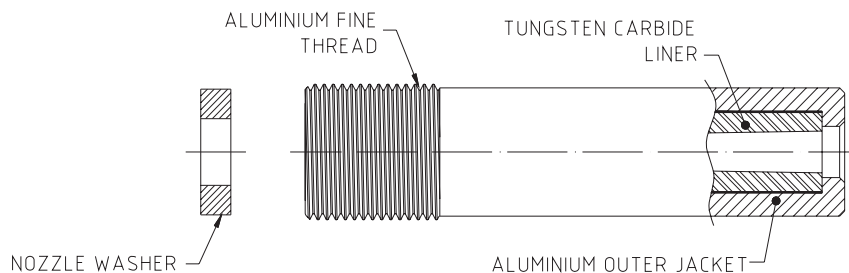
## PanBlast™ ABN-S Boron Carbide Fine Thread Nozzles -

Stock Code	Description	Orifice	Length	Weight
BAC-NZ-PB-0059	ABN-2S Aluminium Jacket	Φ3mm (1/8")	43.5mm (1 3/4")	0.07kg (0.15lbs)
BAC-NZ-PB-0060	ABN-3S Aluminium Jacket	Φ4.8mm (3/16")	43.5mm (1 3/4")	0.07kg (0.15lbs)
BAC-NZ-PB-0061	ABN-4S Aluminium Jacket	Φ6mm (1/4")	43.5mm (1 3/4")	0.07kg (0.15lbs)
BAC-NZ-PB-0062	ABN-5S Aluminium Jacket	Φ8mm (5/16")	43.5mm (1 3/4")	0.06kg (0.13lbs)
BAC-NZ-PB-0063	ABN-6S Aluminium Jacket	Φ10mm (3/8")	43.5mm (1 3/4")	0.06kg (0.13lbs)
BAC-NZ-PB-0064	ABN-8S Aluminium Jacket	Φ12mm (1/2")	43.5mm (1 3/4")	0.06kg (0.13lbs)



## PanBlast™ ATN-M Tungsten Carbide Fine Thread Nozzles -

Stock Code	Description	Orifice	Length
BAC-NZ-PB-0279	ATN-3M Aluminium Jacket	Φ4.8mm (3/16")	77mm (3")
BAC-NZ-PB-0280	ATN-4M Aluminium Jacket	Φ6mm (1/4")	



## PanBlast™ Blast Nozzle Washers -

Stock Code	Description
BAC-NZ-PB-0029	RNW-1 Nozzle Washer - Pack of 10 - Suits 12mm (1/2") Nozzle Entry

Note: All blast nozzles are supplied with one (1) nozzle washer.