



PanBlast™ Flanged Respirator Filter Adaptor Kit

*"Surface Preparation
Is Our Business"*

The PanBlast™ Flanged Respirator Filter Adaptor Kit is utilized to adapt the standard PanBlast™ Respirator Airline Filter Cartridge to suit respirator filters which are fitted with the flanged style cartridge.

This kit allows all operators in the industry to benefit from both the cost savings and efficiency advantages of using the PanBlast™ Respirator Filter Cartridges.

Each kit comes complete with the flange, locking ring, seals, as well as a replacement filter cartridge.

The adaptor kit is also available without the filter cartridge if required.

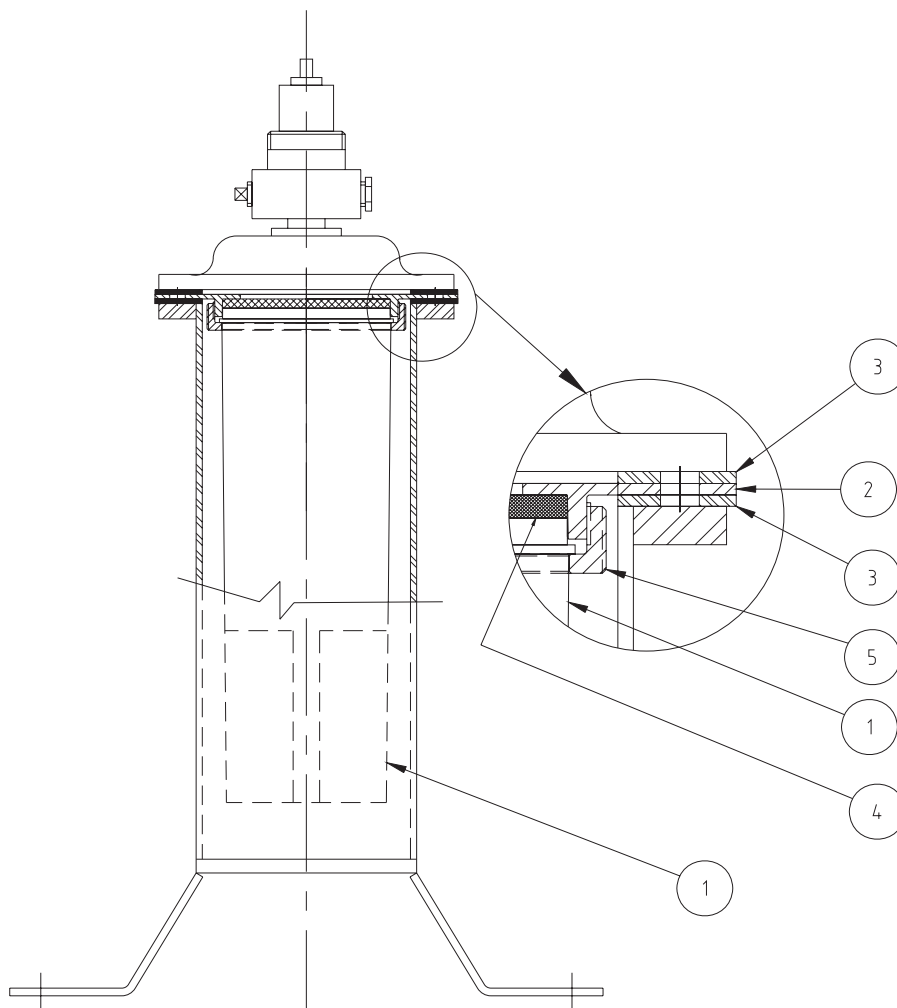


PanBlast™ Flanged Respirator Filter Adaptor Kits -

Stock Code	Description	Weight
BAC-AF-PB-0055	Flanged Respirator Filter Adaptor Kit with Cartridge	1.60kg (3.53lbs)
YAC-AF-PB-0097	Flanged Respirator Filter Adaptor Kit	0.25kg (0.55lbs)

PanBlast™ Flanged Respirator Filter Adaptor Kit Parts List -

Item	Stock Code	Description	Qty
1	BAC-AF-PB-0002	PBF Filter Cartridge	1
2	YAC-AF-PB-0054	Cradle Flange	1
3	YAC-AF-PB-0053	Gasket	2
4	YAC-AF-PB-0056	Sealing Rubber	1
5	YAC-AF-PB-0068	Cradle Nylon Nut	1



Blast Pots & Cabinets - Remote Control Valves - Abrasive Control Valves - Blast Nozzles - Nozzle Holders & Couplings - Helmets & Breathing Air Filters - Blast Suits