



## PanBlast™ Delta SNH Manual Suction Blast Gun

The PanBlast™ Delta Suction Blast Gun is standard supply on all PanBlast™ Suction Blast Cabinets, and is a highly efficient design, providing maximum performance while using the least amount of compressed air possible.



The SNH type Delta Gun utilizes lightweight ceramic blast nozzles, or can also be fitted with the more durable, but still lightweight boron type blast nozzle.

Both types of blast nozzles are available in a wide range of sizes to suit most applications.

### *PanBlast™ Delta Suction Gun Standard Features:*

- \* Ergonomic, lightweight design for reduced operator fatigue.
- \* Hardened steel air tip for longer service life.
- \* Available with either boron carbide or ceramic blast nozzle.
- \* Mounting lug cast into the gun body for attaching the gun to a gun stand if required.
- \* Simple screw in blast nozzle retainer for quick and efficient nozzle changes.
- \* Available in a wide range of air tip/blast nozzle combinations which means there is a Delta Suction Gun to suit most compressor sizes.
- \* The Delta Suction Blast Gun can operate on virtually any abrasive media type and size.



### *Commonly Used Abrasives:*

- \* FastBlast™ Chilled Iron Grit
- \* PanaGrit™ Cast Steel Grit
- \* QuickCut™ Aluminium Oxide
- \* BrightBlast™ Glass Beads
- \* EnviroGrit™ Garnet

Email: [inquiries@panblast.com](mailto:inquiries@panblast.com) - Email: [inquiries@panblast.com](mailto:inquiries@panblast.com) - Email: [inquiries@panblast.com](mailto:inquiries@panblast.com) - Email: [inquiries@panblast.com](mailto:inquiries@panblast.com)

## PanBlast™ Delta SNH Suction Gun Assemblies -

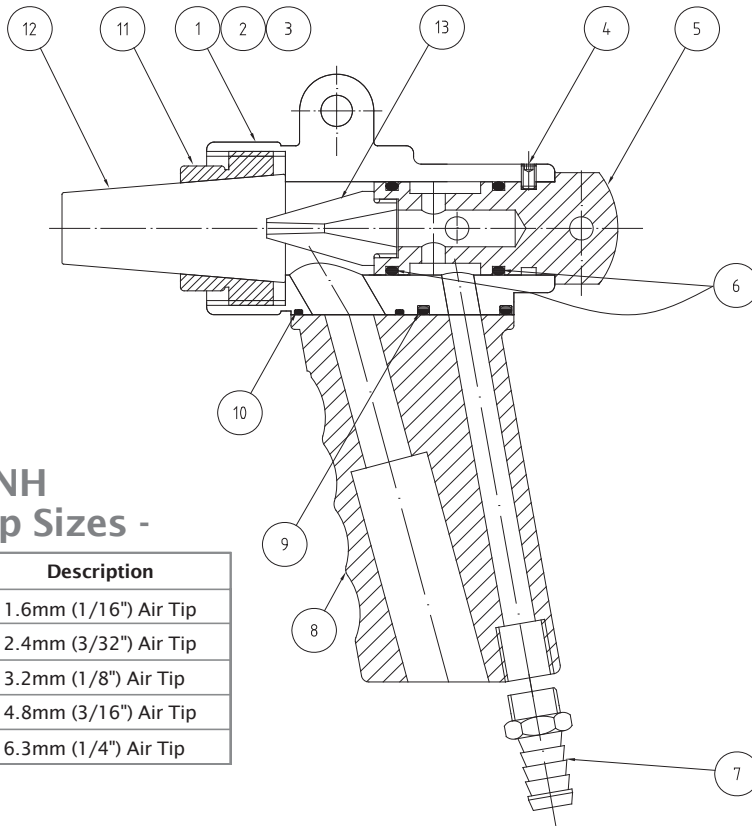
Stock Code	Air Tip		Blast Nozzle		Compressed Air Required
	Size	Stock Code	Size	Stock Code	
BAC-BG-PB-0052	2.4mm (3/32")	BAC-BG-PB-0015	5mm (3/16")	BAC-NZ-PB-0319	21m³/hr (12cfm)
BAC-BG-PB-0053	3.2mm (1/8")	BAC-BG-PB-0012	6mm (1/4")	BAC-NZ-PB-0321	36m³/hr (21cfm)
BAC-BG-PB-0054	4.8mm (3/16")	BAC-BG-PB-0013	9mm (11/32")	BAC-NZ-PB-0325	85m³/hr (50cfm)
BAC-BG-0105-00	2.4mm (3/32")	BAC-BG-PB-0015	5mm (3/16")	BAC-NZ-PB-0267	21m³/hr (12cfm)
BAC-BG-0106-00	3.2mm (1/8")	BAC-BG-PB-0012	6mm (1/4")	BAC-NZ-PB-0264	36m³/hr (21cfm)
BAC-BG-0107-00	4.8mm (3/16")	BAC-BG-PB-0013	9mm (11/32")	BAC-NZ-PB-0265	85m³/hr (50cfm)

## PanBlast™ Delta SNH Suction Gun Parts List -

Item	Stock Code	Description
1	BAC-BG-PB-0025	Gun Body
2	YAC-FN-PB-0121	Spring Washer
3	YAC-FN-PB-0234	Machine Screw
4	YAC-FN-PB-0187	Grub Screw
5	BAC-BG-PB-0019	Air Nozzle Holder
6	YAC-BS-PB-0008	O-Ring
7	YAC-PF-PB-0206	Hose Barb
8	BAC-BG-PB-0024	Gun Handle
9	YAC-BS-PB-0009	O-Ring
10	YAC-BS-PB-0010	O-Ring
11	BAC-BG-PB-0043	Nozzle Retainer

## PanBlast™ Delta SNH Suction Gun Blast Nozzle Sizes -

Item	Stock Code	Description
12	BAC-NZ-PB-0319	5mm (3/16") Ceramic Nozzle
	BAC-NZ-PB-0321	6mm (1/4") Ceramic Nozzle
	BAC-NZ-PB-0323	8mm (5/16") Ceramic Nozzle
	BAC-NZ-PB-0325	9mm (11/32") Ceramic Nozzle
	BAC-NZ-PB-0263	BSN-1 Boron Nozzle
	BAC-NZ-PB-0266	BSN-4 Boron Nozzle
	BAC-NZ-PB-0267	BSN-5 Boron Nozzle
	BAC-NZ-PB-0269	BSN-7 Boron Nozzle
	BAC-NZ-PB-0264	6mm (1/4") Boron Nozzle
	BAC-NZ-PB-0268	8mm (5/16") Boron Nozzle
	BAC-NZ-PB-0265	9mm (11/32") Boron Nozzle



## PanBlast™ Delta SNH Suction Gun Air Tip Sizes -

Item	Stock Code	Description
13	BAC-BG-PB-0011	1.6mm (1/16") Air Tip
	BAC-BG-PB-0015	2.4mm (3/32") Air Tip
	BAC-BG-PB-0012	3.2mm (1/8") Air Tip
	BAC-BG-PB-0013	4.8mm (3/16") Air Tip
	BAC-BG-PB-0014	6.3mm (1/4") Air Tip

Blast Pots & Cabinets - Remote Control Valves - Abrasive Control Valves - Blast Nozzles - Nozzle Holders & Couplings - Helmets & Breathing Air Filters - Blast Suits