



PanBlast™ Coupling Gaskets and Locking Pins

*"Surface Preparation
Is Our Business"*

The PanBlast™ Coupling Gaskets are designed to be located within the pot and hose coupling and provide a seal between the connections.

Manufactured from moulded natural rubber, all PanBlast™ Coupling Gaskets feature a pliable, yet durable, hardness of 65-70 Shore.

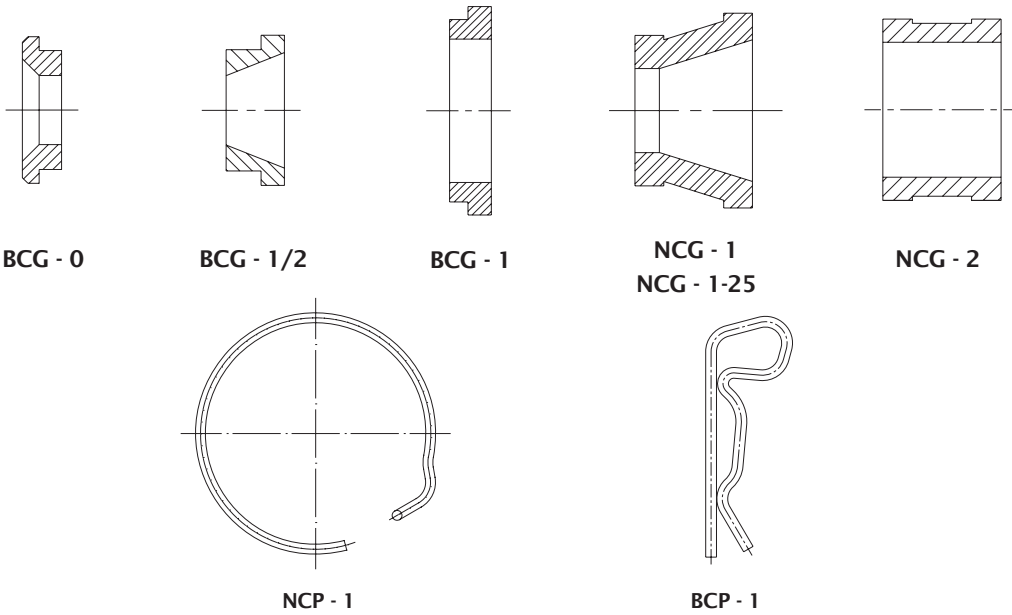
The gaskets are available in six (6) different sizes, BCG-0, BCG-1/2, BCG-1, NCG-1/NCG-1-25 and NCG-2 which covers metal (BHC), steel (SHC) and nylon (NHC) type hose and pot couplings.

All PanBlast™ Coupling Gaskets are supplied in packs of ten (10) pieces and are suitable for use with most OEM couplings available today. See overleaf for further information.



Blast Pots & Cabinets - Remote Control Valves - Abrasive Control Valves - Blast Nozzles - Nozzle Holders & Couplings - Helmets & Breathing Air Filters

PanBlast™ Coupling Gaskets & Locking Pins -



Stock Code	Description	To Suit Coupling	To Fit Hose OD	Thread Size	Lock Pin To Suit
BAC-HC-PB-0015	BCG-0 Coupling Gasket	BHC-0 (BAC-HC-PB-0004)	28mm (1 1/8")	13mm (1/2")	BCP-1 (BAC-HC-PB-0023)
		SHC-0 (BAC-HC-0088-00)			
		BTC-0 (BAC-HC-PB-0010)	34mm (1 5/16")		
		STC-0 (BAC-HC-0084-00)			
BAC-HC-PB-0016	BCG-1/2 Coupling Gasket	BHC-1/2 (BAC-HC-PB-0005)	34mm (1 5/16")	13mm (1/2")	
		SHC-1/2 (BAC-HC-0090-00)			
		BTC-1/2 (BAC-HC-PB-0011)	34mm (1 5/16")	13mm (1/2")	
		STC-1/2 (BAC-HC-0086-00)			
		NHC-1/2 (BAC-HC-PB-0054)	34mm (1 5/16")	13mm (1/2")	
		NTC-1/2 (BAC-HC-PB-0057)			
BAC-HC-PB-0017	BCG-1 Coupling Gasket	BHC-1 (BAC-HC-PB-0006)	38mm (1 1/2")	32mm (1 1/4")	
		SHC-1 (BAC-HC-0082-00)	48mm (1 7/8")		
		BHC-2 (BAC-HC-PB-0007)			55mm (2 3/16")
		SHC-2 (BAC-HC-PB-0014)	55mm (2 3/16")		
		BHC-3 (BAC-HC-PB-0008)			55mm (2 3/16")
		SHC-3 (BAC-HC-0092-00)			
		BTC-1 (BAC-HC-PB-0012)	38mm (1 1/2")		
		STC-1 (BAC-HC-0080-00)			
		BTC-2 (BAC-HC-PB-0013)	38mm (1 1/2")		
		STC-2 (BAC-HC-0105-00)			
BAC-HC-PB-0018	NCG-1 Coupling Gasket	NHC-3/4 (BAC-HC-PB-0051)	34mm (1 5/16") ID 19mm (3/4")	32mm (1 1/4")	
		NHC-1 (BAC-HC-PB-0001)	38mm (1 1/2")		
BAC-HC-PB-0019	NCG-2 Coupling Gasket	NHC-2 (BAC-HC-PB-0002)	48mm (1 7/8")		NCP-1 (BAC-HC-PB-0024)
		NHC-3 (BAC-HC-PB-0003)	55mm (2 3/16")		
		NHC-4 (BAC-HC-PB-0039)	60mm (2 3/8")		
		NTC-1 (BAC-HC-PB-0009)	32mm (1 1/4")		
BAC-HC-PB-0059	NCG-1-25 Coupling Gasket	NHC-1-25 (BAC-HC-PB-0060)	38mm (1 1/2") ID 25mm (1")		

All coupling gaskets supplied in packs of ten (10) pieces.