



PanBlast™ AIN Water Induction Nozzles

The PanBlast™ AIN Water Induction Nozzle range features the ability to slurry wet blast via both adjustable water feed and adjustable venturi air injector ports for optimum air/water atomization in the nozzle discharge and water suction capacity. The PanBlast™ AIN Water Induction Nozzles can be utilized in place of any commercial/conventional blasting nozzle with no modifications to, or upgrading of, your standard blasting equipment required.

The PanBlast™ AIN Water Induction Nozzles are designed with a durable aluminum jacket and wear resistant tungsten carbide liner, and are supplied with industry standard 50mm (2" UNC) contractor threads to overcome the nozzle freezing when fitting and removing the nozzles from the nozzle holder.

The PanBlast™ AIN Water Induction Nozzle series are available in all of the common industry sizes as follows:

- AIN 4 (1/4") - 6.4mm orifice - 25mm entry
- AIN 5 (5/16") - 8mm orifice - 25mm entry
- AIN 6 (3/8") - 9.5mm orifice - 25mm entry
- AIN 7 (7/16") - 11mm orifice - 25mm entry
- AIN 8 (1/2") - 12.5mm orifice - 25mm entry



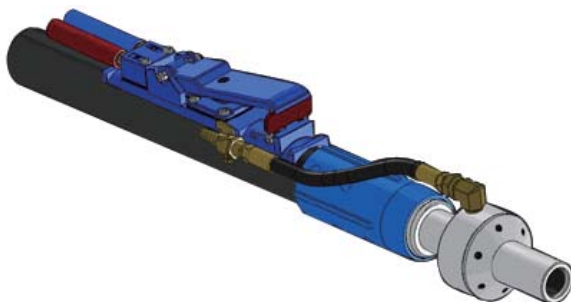
The PanBlast™ AIN Water Induction Nozzle range has been engineered for optimal air/water atomization when compared to conventional wet blasting systems with water consumption levels as follows:

- AIN 4 : 1.4 l/min to 1.9 l/min
- AIN 5 : 2.1 l/min to 2.3 l/min
- AIN 6 : 2.1 l/min to 2.5 l/min
- AIN 7 : 3.0 l/min to 3.3 l/min
- AIN 8 : 3.7 l/min to 3.9 l/min



(Figures based on blasting pressure set @100psi)

Standard fitment includes a short water connection line and on/off valve which, when closed allows the PanBlast™ AIN Induction Nozzle to be utilized as a conventional dry blast nozzle or with the water on/off valve open for a high performance full slurry wet blasting solution.



PanBlast™ AIN Water Induction Nozzles Assembly -

| Stock Code | Description | Weight |
|----------------|---|------------------|
| BAC-NZ-0510-00 | Nozzle Blast AIN-4 Alum/Tung. Induction | 1.50Kg (3.30lbs) |
| BAC-NZ-0511-00 | Nozzle Blast AIN-5 Alum/Tung. Induction | 1.40Kg (3.09lbs) |
| BAC-NZ-0512-00 | Nozzle Blast AIN-6 Alum/Tung. Induction | 1.42Kg (3.13lbs) |
| BAC-NZ-0513-00 | Nozzle Blast AIN-7 Alum/Tung. Induction | 1.60Kg (3.53lbs) |
| BAC-NZ-0514-00 | Nozzle Blast AIN-8 Alum/Tung. Induction | 1.70Kg (3.75lbs) |

PanBlast™ AIN Water Induction Nozzles Part List -

| Item | Stock Code | Description |
|------|----------------|---|
| 1 | BAC-NZ-PB-0031 | Washer Nozzle RNW-32 Rubber (10Pcs/Pkt) |
| 2 | YAC-NZ-PB-0342 | WB-1 Wetblast Attachment-Hose Assembly |

