



PanBlast™ Fina II Abrasive Control Valve

*"Surface Preparation
Is Our Business"*

The PanBlast™ Fina II Abrasive Control Valve is the latest generation in the Fina Valve Series. Developed from the original Fina Valve, the Series II Fina Valve has several new features which make it one of the most efficient and effective abrasive valves available today.

The pipe nipple mounting system has been upgraded to eliminate locating the mounting holes in the nipple itself. This greatly reduces the risk of premature internal wear occurring at the point where the mounting bolts attach to the nipple.

A large drain plug has also been added to provide much easier clearing of blockages within the valve itself.

Servicing and maintenance is also simplified, as the entire control knob and plunger assembly can be removed from the valve body without the need to remove the valve from the blast pot. This allows both the plunger, urethane sleeve and the plunger seals to be changed quickly and easily.

As an added feature, all the internal wearing parts are fully interchangeable with the Series I Fina Valve, overcoming the need to hold differing parts in stock.

The Fina II Abrasive Control Valve is available in both BSP and NPT configurations.



Blast Pots & Cabinets - Remote Control Valves - Abrasive Control Valves - Blast Nozzles - Nozzle Holders & Couplings - Helmets & Breathing Air Filters

PanBlast™ Fina II BSP Valve Assemblies -

Stock Code	Description
BAC-VA-0277-00	Fina II Valve - 1 1/4" M x 1 1/4" M BSP Nipple
BAC-VA-0278-00	Fina II Valve - 1 1/2" M x 1 1/2" M BSP Nipple
BAC-VA-0279-00	Fina II Valve - 1 1/4" M x 1 1/2" M BSP Nipple
BAC-VA-0280-00	Fina II Valve - 1" F x 1 1/2" M BSP Nipple

PanBlast™ Fina II BSP Valve Parts List -

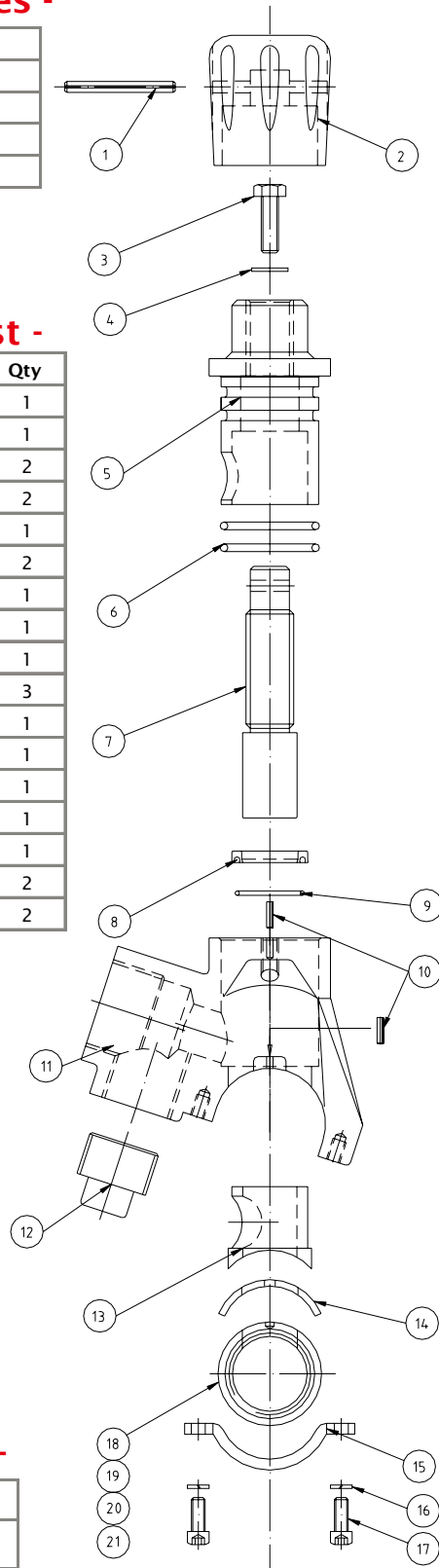
Item	Stock Code	Description	Qty
1	YAC-VA-PB-0048	Spring Pin - Dia 5mm	1
2	BAC-VA-PB-0047	Control Knob	1
3	YAC-FN-PB-0225	Machine Screw - 5/16" UNC	2
4	YAC-FN-PB-0022	Flat Washer - 8mm	2
5	BAC-VA-0290-00	Fina II Valve Top Body	1
6	YAC-BS-0066-00	O-Ring 38.7mm x 3.55mm	2
7	BAC-VA-PB-0050	Fina Valve Plunger	1
8	YAC-VA-PB-0052	Fina Valve Plunger Seal	1
9	YAC-BS-PB-0032	O-Ring 28mm x 2mm	1
10	YAC-FN-0308-00	Split Pin - 3mm x 12mm	3
11	BAC-VA-0288-00	Fina II Valve Body	1
12	YAC-PF-PB-0231	Plug - 1" BSP	1
13	YAC-VA-PB-0053	Fina Valve Urethane Sleeve	1
14	YAC-VA-0313-00	Polyurethane Gasket	1
15	YAC-VA-0293-00	Half Ring Clamp	1
16	YAC-FN-PB-0118	Spring Washer 1/4"	2
17	YAC-FN-PB-0266	Socket Head Machine Screw	2

PanBlast™ Fina II Valve Pipe Nipples -

Item	Stock Code	Description	Qty
18	BAC-VA-0294-00	Fina II Valve Pipe Nipple - 1 1/4" M x 1 1/4" M BSP	1
19	BAC-VA-0295-00	Fina II Valve Pipe Nipple - 1 1/2" M x 1 1/2" M BSP	1
20	BAC-VA-0296-00	Fina II Valve Pipe Nipple - 1 1/4" M x 1 1/2" M BSP	1
21	BAC-VA-0297-00	Fina II Valve Pipe Nipple - 1" F x 1 1/2" M BSP	1

PanBlast™ Fina II Valve Service Kits -

Stock Code	Description
BAC-VA-0285-00	Fina II Valve Service Kit - Includes items 1, 6, 7, 8, 9, 10, 13, 14, 16 & 17



Blast Pots & Cabinets - Remote Control Valves - Abrasive Control Valves - Blast Nozzles - Nozzle Holders & Couplings - Helmets & Breathing Air Filters - Blast Suits