



PanBlast™ Pop Up Valves and O-Rings

*"Surface Preparation
Is Our Business"*

PanBlast™ Pop Up Valves and O-Rings

PanBlast™ Pop Up Valves and O-Rings are available to suit most OEM blast pots in the market today.

PanBlast™ Pop Up Valves are available in both stem and sleeve types for larger capacity pots, and also available in the smaller size stem type to suit smaller capacity units.

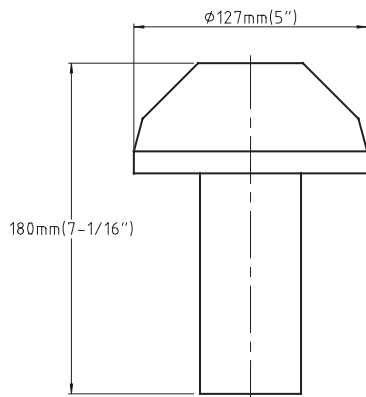
All Pop Up Valves feature durable rubber mushroom heads, which provide excellent sealing and extended service life.



Blast Pots & Cabinets - Remote Control Valves - Abrasive Control Valves - Blast Nozzles - Nozzle Holders & Couplings - Helmets & Breathing Air Filters

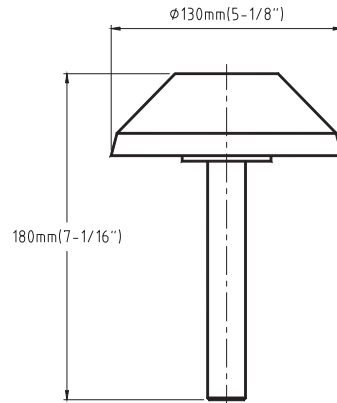
PanBlast™ Pop Up Valves and O Rings -

Stock Code	Description	Weight
BAC-BF-PB-0011	Pop Up Valve - Sleeve	1.50kg (3.31lbs)
BAC-BF-PB-0012	Pop Up Valve - Stem	1.70kg (3.75lbs)
BAC-BF-PB-0013	Seating Ring	0.18kg (0.40lbs)
BAC-BF-PB-0003	Junior Pop Up Valve	0.27kg (0.60lbs)
BAC-BF-PB-0004	Junior Seating Ring	0.05kg (0.11lbs)
BAC-BF-PB-0126	Pop Up Valve - Sleeve (Shaft OD 63.3)	1.65kg (3.63lbs)
BAC-BF-PB-0127	Pop Up Valve - Stem (Shaft OD 21.5)	1.33kg (2.93lbs)



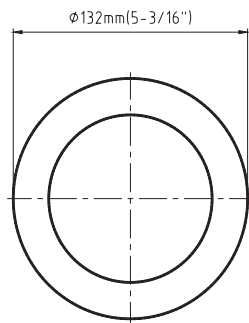
POP UP VALVE - SLEEVE

BAC-BF-PB-0011



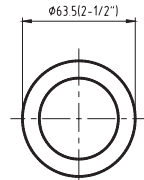
POP UP VALVE - STEM

BAC-BF-PB-0012



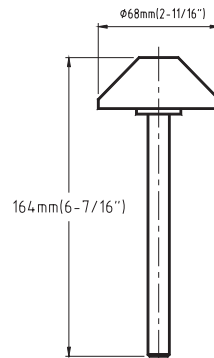
SEATING RING

BAC-BF-PB-0013



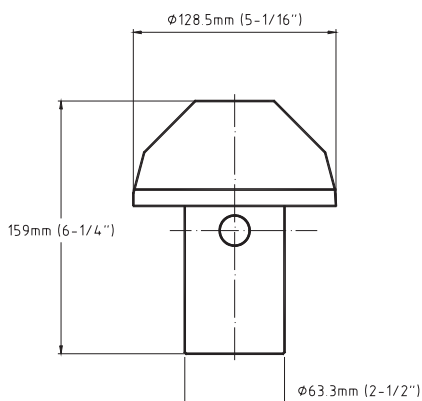
JUNIOR SEATING RING

BAC-BF-PB-0004



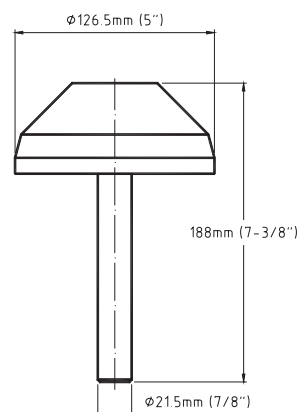
JUNIOR POP UP VALVE

BAC-BF-PB-0003



POP UP VALVE - SLEEVE

BAC-BF-PB-0126



POP UP VALVE - STEM

BAC-BF-PB-0127

Blast Pots & Cabinets - Remote Control Valves - Abrasive Control Valves - Blast Nozzles - Nozzle Holders & Couplings - Helmets & Breathing Air Filters - Blast Suits