



PanBlast™ Sola 10 NPT Remote Control Valve

*"Surface Preparation
Is Our Business"*

PanBlast™ Sola 10 NPT Remote Control Valve

The PanBlast™ Sola 10 NPT Remote Control Valve is a tough, reliable inlet control valve, designed for use in conjunction with a separate exhaust valve such as the PanBlast™ HiFlo Exhaust Control Valve (or similar).

The PanBlast™ Sola 10 NPT Remote Control Valve along with all replacement parts, is completely interchangeable with the OEM product.

The valve features 25mm (1") screwed connections and is a piston operated type valve, which operates a plug and washer arrangement. This design provides positive and reliable operation, even under the most arduous operating conditions.

The PanBlast™ Sola 10 NPT Remote Control Valve is a normally closed, spring return type valve. Upon receiving a signal from the deadman control handle, compressed air enters the valve upper cylinder, which forces downwards the piston/plug assembly, thereby opening the control valve.

When the separate exhaust valve is operated, the air in the cylinder is exhausted from the valve and the spring then in turn closes the valve assembly.

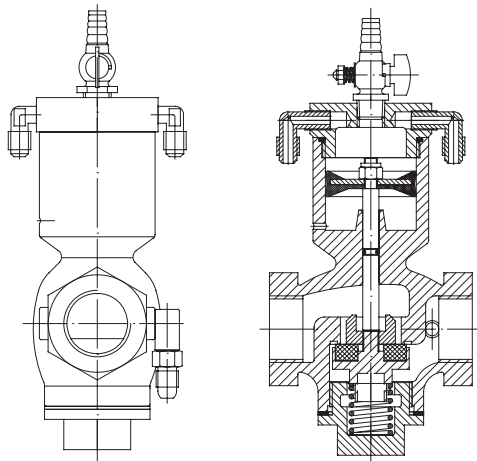
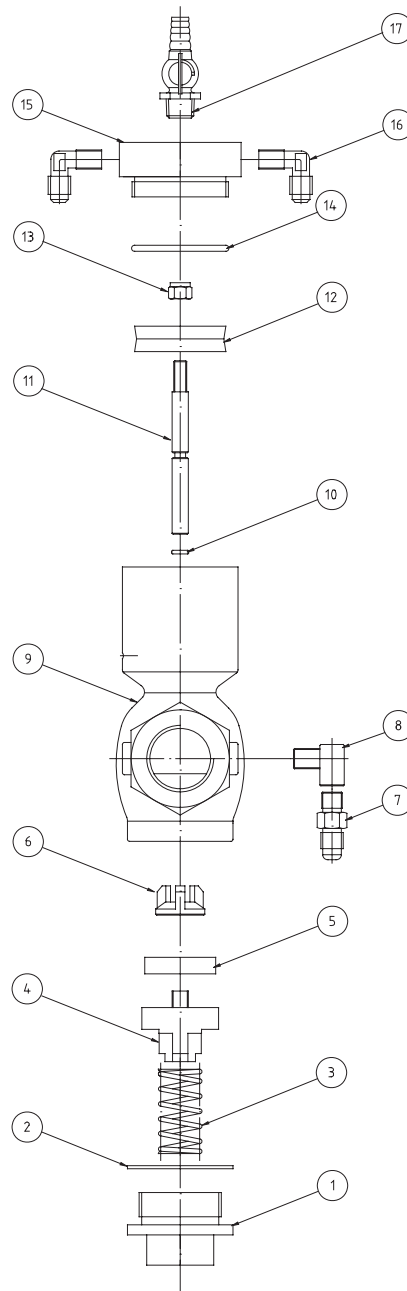


PanBlast™ Sola 10 NPT Remote Control Valve Assembly -

Stock Code	Description	Weight
BAC-RC-0208-03	Sola 10 NPT Valve Assembly	1.03kg (2.27lbs)

PanBlast™ Sola 10 NPT Remote Control Valve Parts List -

Item	Stock Code	Description	Qty
1	YAC-RC-PB-0209	Bottom Cap	1
2	YAC-RC-0210-02	Bottom Cap Gasket	1
3	YAC-RC-0211-01	Spring	1
4	YAC-RC-PB-0212	Valve Plug	1
5	YAC-RC-PB-0213	Valve Plug Washer	1
6	YAC-RC-PB-0214	Retainer Plug	1
7	YAC-PF-PB-0216	Hex Nipple	1
8	YAC-PF-PB-0217	Elbow	1
9	YAC-RC-PB-0217	Body	1
10	YAC-BS-PB-0021	O-Ring	1
11	YAC-RC-PB-0215	Piston Rod	1
12	YAC-RC-PB-0218	Rubber Piston	1
13	YAC-FN-PB-0256	Lock Nut 1/4"	1
14	YAC-BS-PB-0022	O-Ring	1
15	YAC-RC-PB-0220	Cap	1
16	YAC-PF-PB-0218	Elbow	2
17	YAC-PF-PB-0249	Pet Cock	1



PanBlast™ Sola 10 NPT Remote Control Valve Service Kits -

Stock Code	Description
BAC-RC-0257-01	Sola 10 NPT Valve Inlet Service Kit - Includes items 2, 3, 5, 6, 10 & 14

Blast Pots & Cabinets - Remote Control Valves - Abrasive Control Valves - Blast Nozzles - Nozzle Holders & Couplings - Helmets & Breathing Air Filters - Blast Suits