



# PanBlast™ Titan II Supplied Air Respirator Helmet

*"Surface Preparation  
Is Our Business"*

The PanBlast™ Titan II Supplied Air Respirator is the latest generation of the Titan Respirator series, and is approved to the stringent European CE standards EN14594:2005 Class 4B, whilst also meeting the Australian & New Zealand Standards AS/NZS1716:2003.

The Titan II SAR is designed to protect the blasting operator from rebounding abrasive, dust, debris and excessive noise levels generated from the abrasive blasting process.

Weighing only 2.3kg (5.07lbs), the PanBlast™ Titan II SAR is also available with either Air Flow Controller, Air Cooling Controller or Climate Controller to provide maximum operator comfort.



The now standard Air Flow Indicator, with its simple red/green operation, provides for additional operator protection and peace of mind, by knowing that the airflow to the SAR is within regulatory specifications.



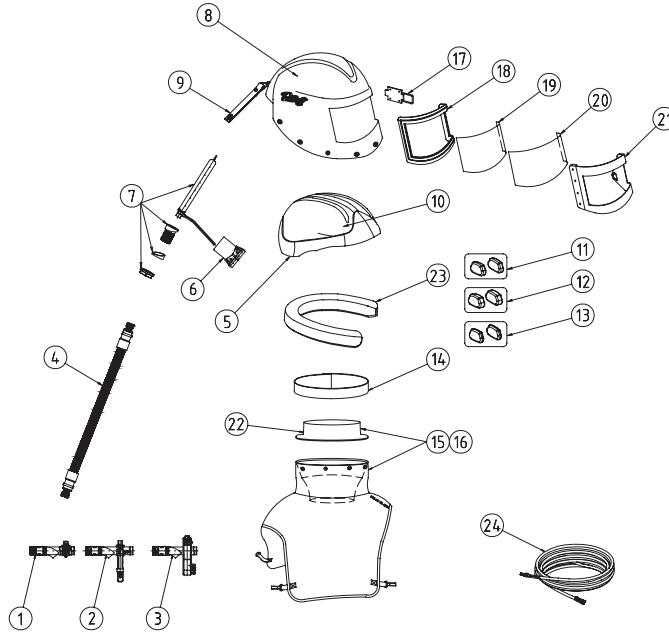
## PanBlast™ Titan II Design Features:

- \* Rigid ABS thermoplastic outer shell with additional rear reinforcement for added strength and durability.
- \* Integral air flow indicator to warn of low/inadequate air supply to the respirator.
- \* Multi-Directional AcoustiFlex Breathing Tube.
- \* Removable and washable inner neck and cheek paddings, with the cheek padding available in three (3) different sizes.
- \* Durable nylon outer cape with removable and washable inner collar.
- \* Strengthened carry strap for improved storability.
- \* Replacement outer lenses in packs of 100, and inner lenses in packs of 20.

Note: Regulatory requirements for breathing air quality will vary depending on your region.  
· For NIOSH requirements, breathing air must be of Grade D quality.  
· For CE requirements, breathing air must be in accordance with EN12021.  
· For AS/NZS requirements, breathing air must be in accordance with AS/NZS1715.

## PanBlast™ Titan II Supplied Air Respirator Assemblies -

Stock Code	Description
BAC-BH-0022-05	Titan II Supplied Air Respirator with Standard Cape
BAC-BH-0138-00	Titan II Supplied Air Respirator with Standard Cape & Air Flow Controller
BAC-BH-0141-00	Titan II Supplied Air Respirator with Standard Cape & Air Cooling Controller
BAC-BH-0144-00	Titan II Supplied Air Respirator with Standard Cape & Climate Controller
BAC-BH-0139-00	Titan II Supplied Air Respirator with Leather Cape & Air Flow Controller
BAC-BH-0142-00	Titan II Supplied Air Respirator with Leather Cape & Air Cooling Controller
BAC-BH-0145-00	Titan II Supplied Air Respirator with Leather Cape & Climate Controller



## PanBlast™ Titan II Supplied Air Respirator Parts List-

Item	Stock Code	Description	Qty
1	BAC-AF-PB-0036	Air Flow Controller	1
2	BAC-AF-PB-0032	Air Cooling Controller	1
3	BAC-AF-PB-0175	Climate Controller	1
4	BAC-BH-0161-03	AcoustiFlex Breathing Tube	1
5	BAC-BH-PB-0020	Inner Shell Sponge Liner	1
6	YAC-BH-PB-0093	Air Flow Indicator	1
7	BAC-BH-0007-08	Air Entry Kit	1
8	YAC-BH-PB-0010	Respirator Helmet Shell	1
9	BAC-BH-PB-0009	Respirator Helmet Strap Handle	1
10	YAC-BH-PB-0011	Inner Shell	1
11	BAC-BH-PB-0006	Inner Padding Kit - Standard	1
12	BAC-BH-PB-0087	Inner Padding Kit - Thick	1
13	BAC-BH-PB-0090	Inner Padding Kit - Thin	1
14	YAC-BH-PB-0012	Sealing Band	1
15	BAC-BH-PB-0004	Inner Collar & Outer Cape - Standard	1
16	BAC-BH-PB-0024	Inner Collar & Outer Cape - Leather (Optional)	1
17	YAC-BH-PB-0035	Outer Lens Frame Latch	1
18	YAC-BH-PB-0069	Inner Lens Gasket	1
19	BAC-BH-0158-00	Inner Lens - Pack of 20	Pk/20
20	BAC-BH-PB-0015	Outer Lens - Pack of 100	Pk/100
21	BAC-BH-PB-0102	Outer Lens Frame	1
22	YAC-BH-PB-0042	Inner Collar	1
23	YAC-BH-PB-0016	Inner Rear Padding	1
24	BAC-AF-PB-0071	20m Airline Hose c/w Quick Disconnects	1