

# PanBlast™ VisiFlo Respirator Airline Filter - Premium

*"Surface Preparation  
Is Our Business"*

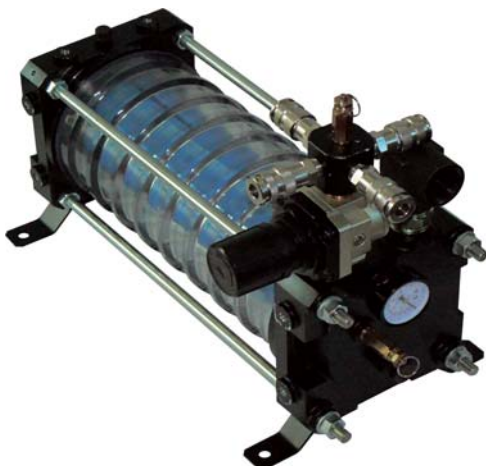
## *PanBlast™ VisiFlo Respirator Airline Filter and Accessories:*

The PanBlast™ VisiFlo Respirator Airline Filter is designed to reduce odours, oil and mist present in the compressed air supply to the blast operators' blast helmet.

The VisiFlo heralds a new generation of breathing air filters with the advent of a clear filter cartridge housing tube that offers the ability to visually check the air supply quality to the filter from the compressor and the condition of the filter cartridge.

## *PanBlast™ VisiFlo Design Features:*

- \* The clear housing tube has a working pressure capacity of 1035kPa (150psi) and is fitted with a 1035kPa (150psi) Pressure Relief Valve and Pressure Gauge.
- \* The VisiFlo can be used in ambient temperatures of -20°C (-4°F) up to +60°C (+140°F) and is virtually indestructible.
- \* The unit can be installed in either horizontal or vertical configuration and also comes with wall mounting capability.
- \* The unit is fitted with a four outlet manifold, each outlet is fitted with a PanBlast™ Breathing Air Dual Action Quick Connect Coupling, the manifold is also fitted with an 860 kPa (125psi) Pressure Relief Valve ensuring that the maximum regulation outlet pressure as required by most International Safety Standards is not exceeded.
- \* Outlet supply pressure is controlled by a high capacity air regulator fitted with a pressure gauge.
- \* The unit is fitted with a manually operated drain and has optional drain ports to suit horizontal or vertical installation orientations.
- \* A CO monitor kit/alarm is available that mounts directly to the unit and monitors the level of carbon monoxide in the air supply to the unit.



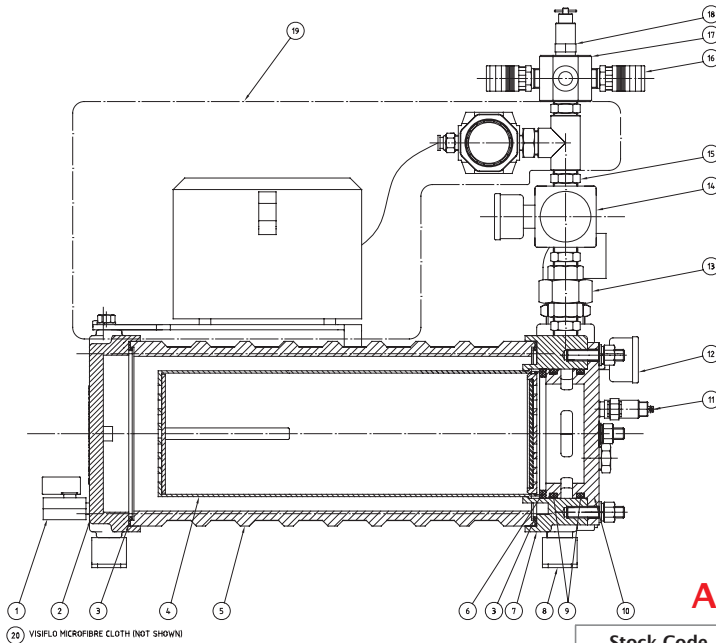
Pan Abrasives stock a complete range of all breathing air filter replacement parts and accessories, including CO2 Monitor Kits, VisiFlo Filter Cartridges, Breathing Air Hoses and Dual Action Couplings.

## PanBlast™ VisiFlo Premium Respirator Airline Filter Assemblies -

Stock Code	Description	Weight
BAC-AF-0274-00	VisiFlo Premium Respirator Ariline Filter	12.35kg (27.08lbs)
BAC-AF-0276-00	VisiFlo Premium Respirator Airline Filter c/w CO Monitor	15.45kg (33.88lbs)

## PanBlast™ VisiFlo Premium Respirator Airline Filter Parts List -

Item	Stock Code	Description	Qty
1	YAC-PF-PB-0167	Mini Ball Valve 1/4"	1
2	YAC-AF-0345-00	Bottom Cap	1
3	YAC-AF-0317-00	Tube Seal	2
4	BAC-AF-PB-0002	PBF Cartridge Filter	1
5	BAC-AF-0290-00	VisiFlo Premium Tube	1
6	YAC-AF-0335-00	Silicone Seal	1
7	YAC-AF-0346-00	Top Cap	1
8	YAC-AF-0315-00	Floor/Wall Support Bracket	2
9	YAC-BS-0078-00	O-Ring ID 103mm x Dia. 5.33mm	2
10	YAC-AF-0334-00	Top Cap Cover	1
11	BAC-PF-PB-0226	Pressure Relief Valve 6mm (1/4") - 150psi	1
12	BAC-PF-PB-0031	Pressure Gauge 6mm 1/4" 0-1000kPa Rear Entry	1
13	YAC-PF-0323-00	Union F & F 1/3" (SS)	1
14	YAC-AF-PB-0019	Regulator 1/2" BSP	1
15	YAC-PF-PB-0099	Hex Nipple 1/2" BSP (Brass)	3
16	YAC-PF-PB-0092	Quick Disconnect Female x 3/8" BSP Male	4
17	YAC-AF-0332-00	Manifold 1/2" BSP - 1 x 1/4" & 4 x 3/8" BSP Outlets	1
18	BAC-PF-PB-0030	Pressure Relief Valve 6mm (1/4") - 125psi	1
19	BAC-AF-0278-00	VisiFlo CO Monitor Kit - Optional	1
20	YAC-AF-0311-00	Microfibre Cloth	1



## PanBlast™ VisiFlo Premium Respirator Airline Filter Service Kits -

Stock Code	Description
BAC-AF-0278-00	CO Monitor Kit - Item 19
BAC-AF-0282-00	VisiFlo Vertical Stand Kit.
BAC-AF-0286-00	VisiFlo Premium Tube Kit - Includes items 3, 5 & 20
BAC-AF-0287-00	VisiFlo Pneumatic Repair Kit - Includes items 11, 12, 13, 14, 15, 16, 17 & 18
BAC-AF-0288-00	VisiFlo Gaskets & Seals Kit - Includes items 3, 6 & 9