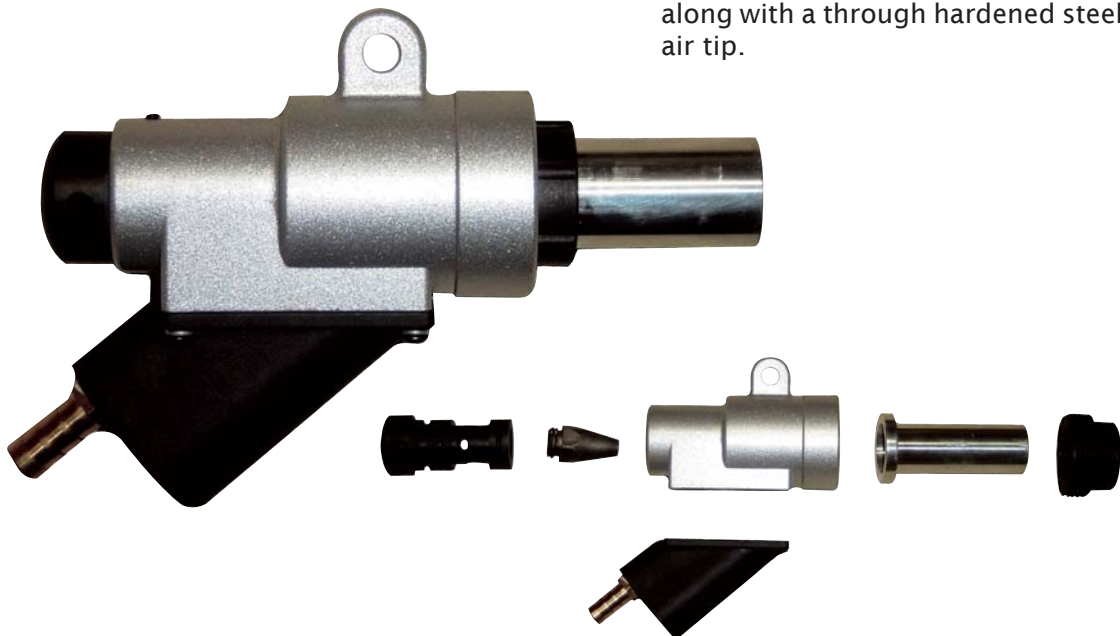




PanBlast™ Delta GDF Auto Suction Blast Gun

The PanBlast™ Delta Auto Suction Blast Gun is designed specifically for use on automated suction blasting machines. The lug which is cast into the gun body allows for the gun assembly to be firmly mounted on either a rigid bracket or a manipulation machine.

The GDF type Delta Gun utilizes durable tungsten carbide blast nozzles with a lightweight aluminium jacket. Steel jacket nozzles are available as an option, along with a through hardened steel air tip.



PanBlast™ Delta Suction Gun Standard Features:

- * Ergonomic, lightweight design for more efficient mounting and manipulation.
- * Case hardened steel air tip for longer service life.
- * Through hardened heavy duty air tip available as an option.
- * Available with a wide range of tungsten carbide blast nozzles.
- * Mounting lug cast into the gun body for quick and simple attachment to mounting bracket and/or manipulator.
- * Simple screw in blast nozzle retainer for quick and efficient nozzle changes.
- * Available in a wide range of air tip/blast nozzle combinations which means there is a Delta Suction Gun to suit most compressor sizes.
- * The Delta Suction Blast Gun can operate on virtually any abrasive media type and size.

Commonly Used Abrasives:

- * FastBlast™ Chilled Iron Grit
- * PanaGrit™ Cast Steel Grit
- * QuickCut™ Aluminium Oxide
- * BrightBlast™ Glass Beads
- * EnviroGrit™ Garnet

Email: inquiries@panblast.com - Email: inquiries@panblast.com - Email: inquiries@panblast.com - Email: inquiries@panblast.com

PanBlast™ Delta GDF Suction Gun Assemblies -

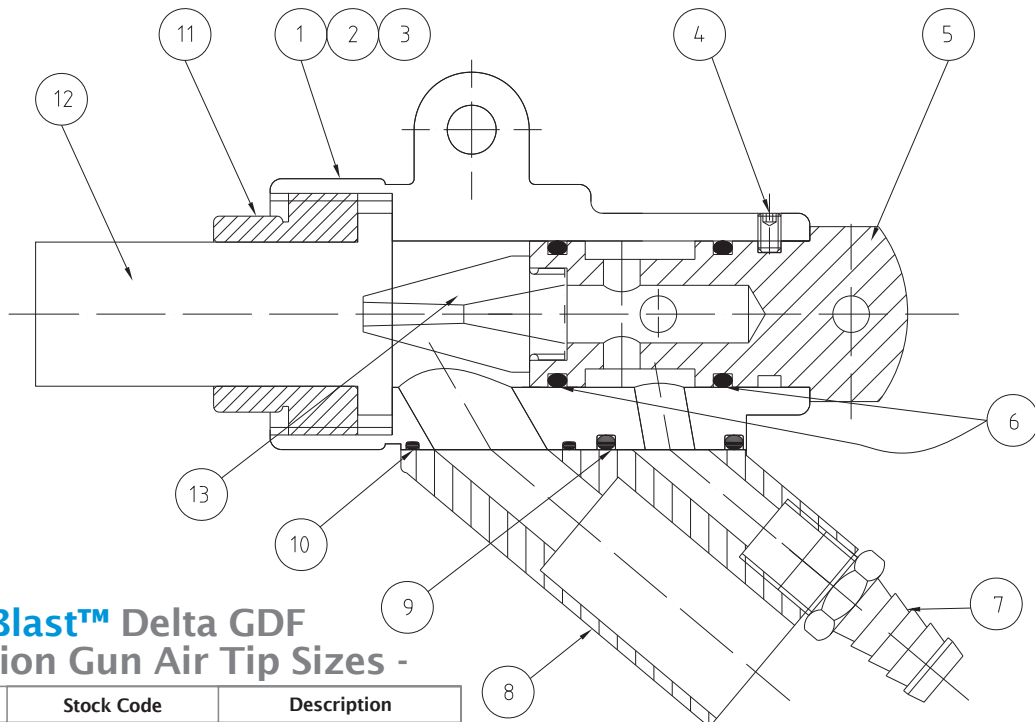
Stock Code	Air Tip		Blast Nozzle		Compressed Air Required
	Size	Stock Code	Size	Stock Code	
BAC-BG-PB-0061	2.4mm (3/32")	BAC-BG-PB-0015	6mm (1/4")	BAC-NZ-PB-0176	21m³/hr (12cfm)
BAC-BG-PB-0062	3mm (1/8")	BAC-BG-PB-0012			36m³/hr (21cfm)
BAC-BG-PB-0063	4.8mm (3/16")	BAC-BG-PB-0013	10mm (3/8")	BAC-NZ-PB-0177	85m³/hr (50cfm)

PanBlast™ Delta GDF Suction Gun Parts List -

Item	Stock Code	Description
1	BAC-BG-PB-0025	Gun Body
2	YAC-FN-PB-0121	Spring Washer
3	YAC-FN-PB-0234	Machine Screw
4	YAC-FN-PB-0187	Grub Screw
5	BAC-BG-PB-0019	Air Nozzle Holder
6	YAC-BS-PB-0008	O-Ring
7	YAC-PF-PB-0206	Hose Barb
8	BAC-BG-PB-0023	Auto Gun Handle
9	YAC-BS-PB-0009	O-Ring
10	YAC-BS-PB-0010	O-Ring
11	BAC-BG-PB-0028	Nozzle Retainer

PanBlast™ Delta GDF Suction Gun Blast Nozzle Sizes -

Item	Stock Code	Description
12	BAC-NZ-PB-0175	3mm (1/8") Aluminium Jacket
	BAC-NZ-PB-0179	4.8mm (3/16") Aluminium Jacket
	BAC-NZ-PB-0176	6mm (1/4") Aluminium Jacket
	BAC-NZ-PB-0227	8mm (5/16") Aluminium Jacket
	BAC-NZ-PB-0177	10mm (3/8") Aluminium Jacket
	BAC-NZ-PB-0178	12.7mm (1/2") Aluminium Jacket
	BAC-NZ-PB-0236	14mm (9/16") Aluminium Jacket
	BAC-NZ-PB-0153	10mm (3/8") Steel Jacket
	BAC-NZ-PB-0355	12.7mm (1/2") Steel Jacket



PanBlast™ Delta GDF Suction Gun Air Tip Sizes -

Item	Stock Code	Description
13	BAC-BG-PB-0011	1.6mm (1/16") Air Tip
	BAC-BG-PB-0015	2.4mm (3/32") Air Tip
	BAC-BG-PB-0012	3.2mm (1/8") Air Tip
	BAC-BG-PB-0013	4.8mm (3/16") Air Tip
	BAC-BG-PB-0014	6.3mm (1/4") Air Tip

Blast Pots & Cabinets - Remote Control Valves - Abrasive Control Valves - Blast Nozzles - Nozzle Holders & Couplings - Helmets & Breathing Air Filters - Blast Suits