



PanBlast™ Fina II NPT Abrasive Control Valve

*"Surface Preparation
Is Our Business"*

PanBlast™ Fina II NPT Abrasive Control Valve

The PanBlast™ Fina II NPT Abrasive Control Valve is the latest generation in the Fina Valve Series. Developed from the original Fina Valve, the Series II Fina NPT Valve has several new features which make it one of the most efficient and effective abrasive control valves available today.

The pipe nipple mounting system has been upgraded to eliminate locating the mounting holes in the nipple itself. This greatly reduces the risk of premature internal wear occurring at the point where the mounting bolts attach to the nipple.

A large drain plug has also been added to provide much easier clearing of blockages within the valve itself.

Servicing and maintenance is also simplified, as the entire control knob and plunger assembly can be removed from the valve body without the need to remove the valve from the blast pot. This allows both the plunger, urethane sleeve and the plunger seals to be changed quickly and easily.

As an added feature, all the internal wearing parts are fully interchangeable with the Series I Fina NPT Valve, overcoming the need to hold differing parts in stock.

The Fina II Abrasive Control Valve is available in both BSP and NPT configurations.



PanBlast™ Fina II NPT Valve Assemblies -

Stock Code	Description
BAC-VA-0281-00	Fina II NPT Valve - 1 1/4" M x 1 1/4" M
BAC-VA-0282-00	Fina II NPT Valve - 1 1/2" M x 1 1/2" M
BAC-VA-0283-00	Fina II NPT Valve - 1 1/4" M x 1 1/2" M
BAC-VA-0284-00	Fina II NPT Valve - 1" F x 1 1/2" M

PanBlast™ Fina II NPT Valve Parts List -

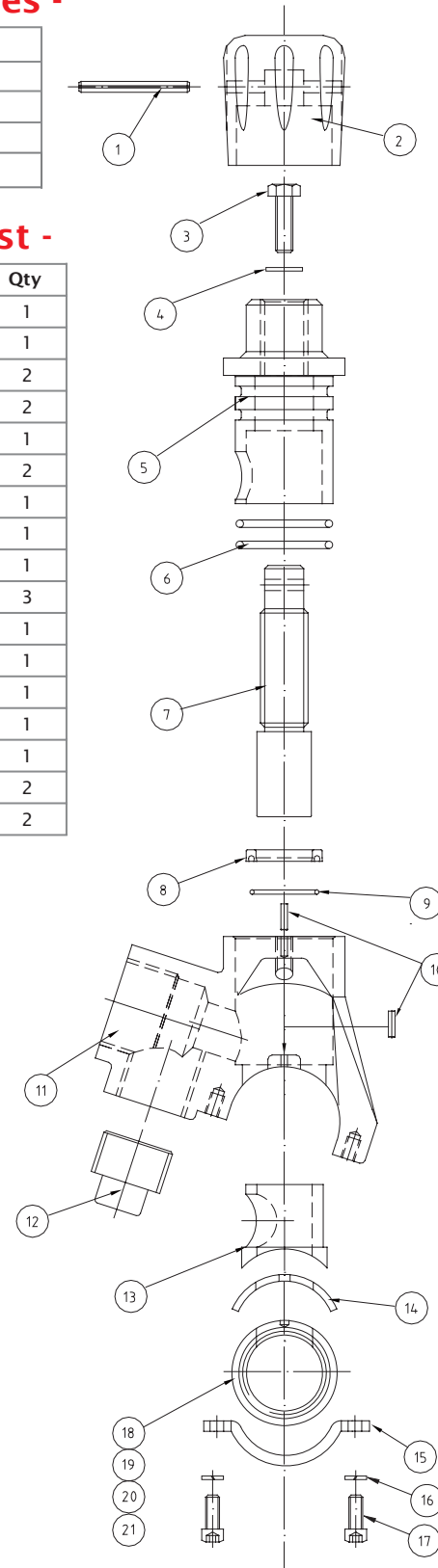
Item	Stock Code	Description	Qty
1	YAC-VA-PB-0048	Spring Pin - Dia 5mm	1
2	BAC-VA-PB-0047	Control Knob	1
3	YAC-FN-PB-0225	Machine Screw - 5/16" UNC	2
4	YAC-FN-PB-0022	Flat Washer - 8mm	2
5	BAC-VA-0291-00	Top Body	1
6	YAC-BS-0066-00	O-Ring 38.7mm x 3.55mm	2
7	BAC-VA-PB-0050	Plunger	1
8	YAC-VA-PB-0052	Plunger Seal	1
9	YAC-BS-PB-0032	O-Ring 28mm x 2mm	1
10	YAC-FN-0308-00	Split Pin - 3mm x 12mm	3
11	BAC-VA-0289-00	Valve Body	1
12	YAC-PF-PB-0230	Plug - 1" NPT	1
13	YAC-VA-PB-0053	Urethane Sleeve	1
14	YAC-VA-0313-00	Polyurethane Gasket	1
15	YAC-VA-0293-00	Half Ring Clamp	1
16	YAC-FN-PB-0118	Spring Washer 1/4"	2
17	YAC-FN-PB-0266	Socket Head Machine Screw	2

PanBlast™ Fina II NPT Valve Pipe Nipples -

Item	Stock Code	Description	Qty
18	BAC-VA-0298-00	Fina II Valve Pipe Nipple - 1 1/4" M x 1 1/4" M NPT	1
19	BAC-VA-0299-00	Fina II Valve Pipe Nipple - 1 1/2" M x 1 1/2" M NPT	1
20	BAC-VA-0300-00	Fina II Valve Pipe Nipple - 1 1/4" M x 1 1/2" M NPT	1
21	BAC-VA-0301-00	Fina II Valve Pipe Nipple - 1" F x 1 1/2" M NPT	1

PanBlast™ Fina II NPT Valve Service Kits -

Stock Code	Description
BAC-VA-0285-00	Fina II NPT Valve Service Kit - Includes items 1, 6, 7, 8, 9, 10, 13, 14, 16 & 17



Blast Pots & Cabinets - Remote Control Valves - Abrasive Control Valves - Blast Nozzles - Nozzle Holders & Couplings - Helmets & Breathing Air Filters - Blast Suits