



PanBlast™ Plana II Abrasive Control Valve

*"Surface Preparation
Is Our Business"*

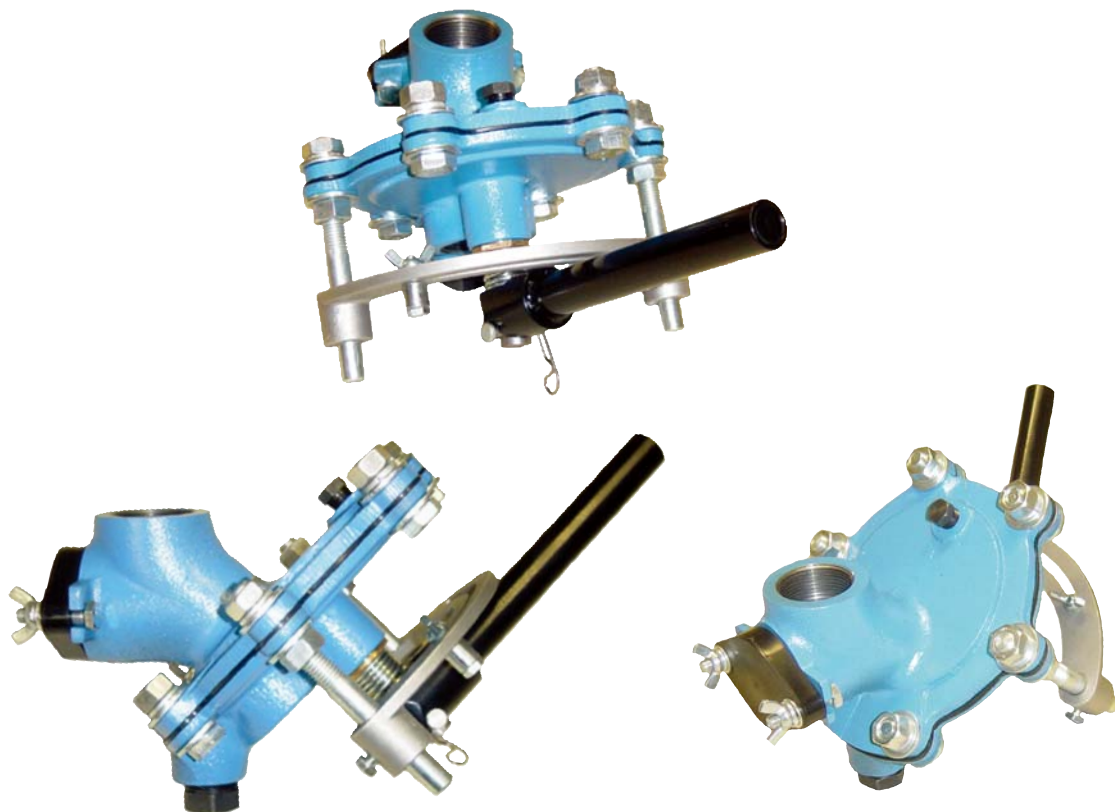
The PanBlast™ Plana II Abrasive Control Valve has evolved from the original Plana Valve, to become a simple in design, yet sophisticated in operation abrasive valve.

With a housing constructed from robust SG iron, and a metering plate constructed from stainless steel, the PanBlast™ Plana II Valve takes this style of abrasive control valve to the next level of operation.

A set of nylon wiper seals provide sealing on each side of the metering plate, which prevents abrasive from entering the valve housing. This prevents jamming of the valve metering plate, which is a common problem with other types of flat type abrasive control valves.

A large clean out/inspection port, along with a drain port, are provided for greatly improved servicing and maintenance. Also featured is a pressurization port on the top housing, which allows a compressed air supply to be connected to assist in flushing out any blockages through the drain port.

Improved sealing of the metering plate stem using a combination of lip seals and O-Rings, is also a feature of the PanBlast™ Plana II Abrasive Control Valve.



PanBlast™ Plana II Valve Assembly -

Stock Code	Description
BAC-VA-0318-00	Plana II Valve Assembly

PanBlast™ Plana II Valve Parts List -

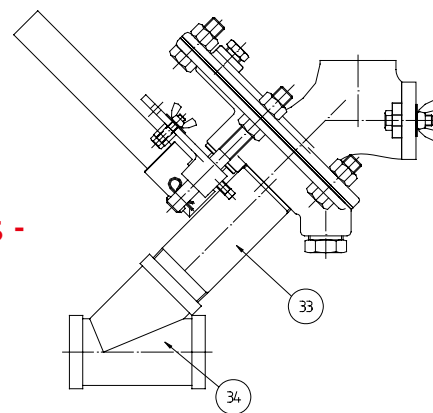
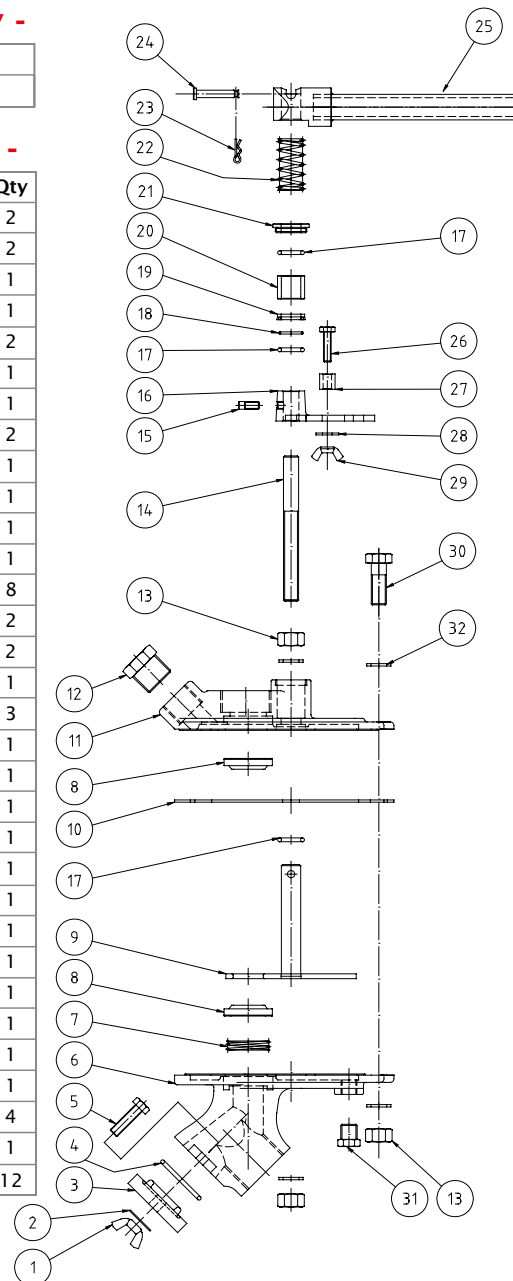
Item	Stock Code	Description	Qty
1	YAC-FN-PB-0108	Wing Nut - 8mm	2
2	YAC-FN-PB-0022	Flat Washer - 8mm	2
3	YAC-VA-0309-00	Inspection Plate	1
4	YAC-BS-PB-0033	O-Ring 37.5mm x 3.53mm	1
5	YAC-FN-PB-0165	Hex Head Bolt - M8 x 40mm	2
6	BAC-VA-0320-00	Plana II Valve Upper Body	1
7	YAC-VA-0329-00	Seal Spring	1
8	YAC-BS-0068-00	Metering Plate Wiper Seal	2
9	YAC-VA-0322-00	Metering Plate	1
10	YAC-VA-0323-00	Rubber Gasket	1
11	BAC-VA-0324-00	Plana II Valve Lower Body	1
12	YAC-PF-PB-0083	Hex Plug - 3/4"	1
13	YAC-FN-PB-0035	Nut - M12	8
14	YAC-VA-PB-0084	Stud	2
15	YAC-FN-PB-0166	Machine Head Screw - M6 x 10mm	2
16	YAC-VA-PB-0083	Gauge Unit	1
17	YAC-BS-PB-0025	O-Ring 5/8" x 1/8"	3
18	YAC-BS-0073-00	O-Ring 17mm x 1.8mm	1
19	YAC-VA-0330-00	Shaft U Seal	1
20	YAC-VA-0332-00	Packing Gland	1
21	YAC-VA-0331-00	Bush	1
22	YAC-VA-PB-0077	Spring	1
23	YAC-FN-0332-00	R-Split Pin - 20mm	1
24	YAC-VA-0304-00	Handle Pin	1
25	YAC-VA-0305-00	Handle	1
26	YAC-FN-PB-0132	Hex Head Machine Screw - M6 x 25mm	1
27	YAC-VA-PB-0039	Gauge Unit Spacer	1
28	YAC-FN-PB-0007	Flat Washer - 6mm	1
29	YAC-FN-PB-0110	Wing Nut - M6	1
30	YAC-FN-PB-0064	Hex Head Bolt - M12 x 35mm	4
31	YAC-PF-PB-0088	Hex Plug - 1/4"	1
32	YAC-FN-PB-0085	Flat Washer - 12mm	12

PanBlast™ Plana II Valve Service Kits -

Stock Code	Description
BAC-VA-0031-02	Plana II Valve Service Kit - Includes items 9, 10, 17, 18, 19, 20, 21 & 22
BAC-VA-0328-00	Plana II Valve Wiper Seal Kit - Includes items 7 & 8

PanBlast™ Plana II Valve Optional Items -

Item	Stock Code	Description	Qty
33	BAC-VA-PB-0074	Plana Valve Nipple	1
34	BAC-VA-PB-0073	Plana Valve Y Piece	1



Blast Pots & Cabinets - Remote Control Valves - Abrasive Control Valves - Blast Nozzles - Nozzle Holders & Couplings - Helmets & Breathing Air Filters - Blast Suits