



PanBlast™ AirStop II Remote Control Handle - Electric Type

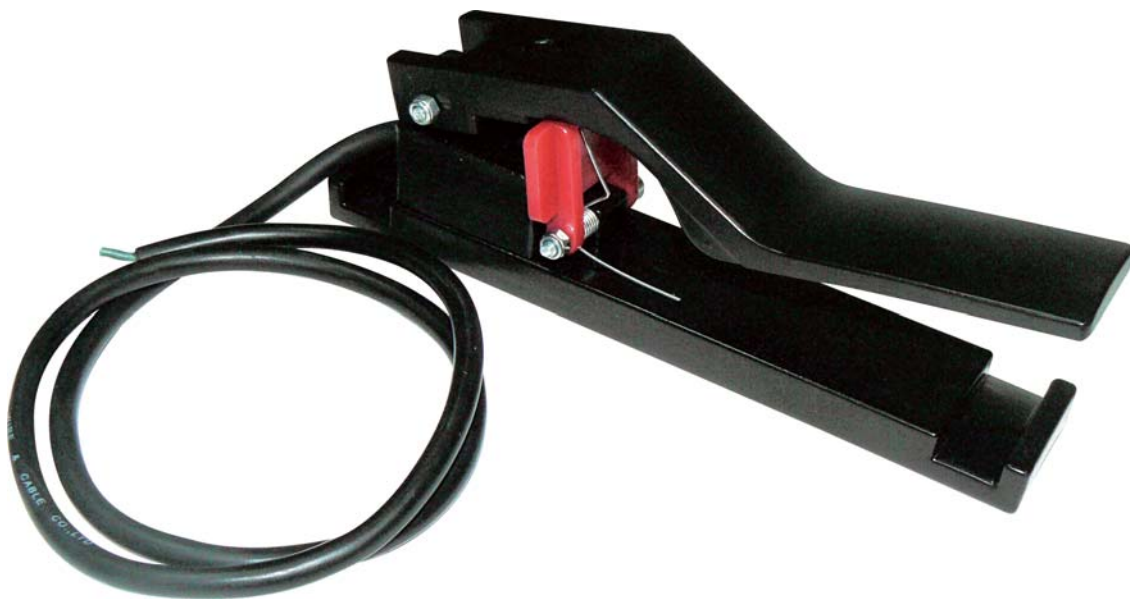
*"Surface Preparation
Is Our Business"*

PanBlast™ AirStop II Electric Remote Control Handle

The PanBlast™ AirStop II Electric Remote Control Handle has all the same features as the AirStop II Pneumatic Handle, but operates using an electrical signal, normally 12 Volt.

The wide, flat style of lever, which features on the AirStop II Handle, overcomes many of the ergonomic problems which are sometimes apparent with control handles which use smaller levers.

A spring loaded safety lever lock, with a long travel, is also provided on the PanBlast™ AirStop II Remote Control Handle. This style of safety lock provides a much more positive locking of the handle than other plunger type locks, which makes accidental activation of the handle far less likely.

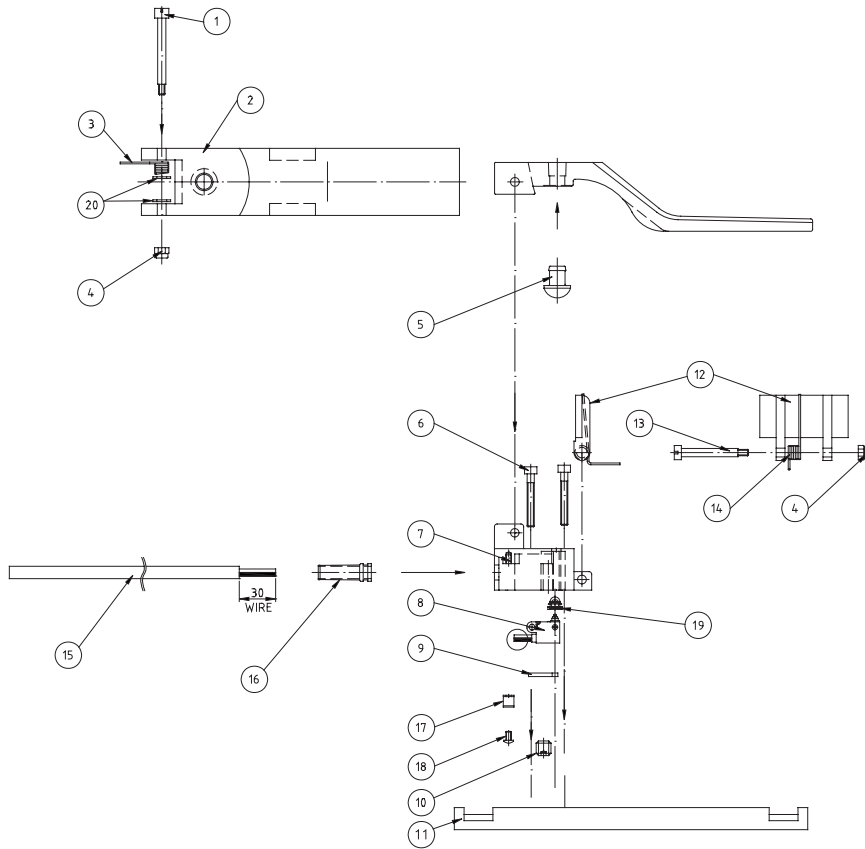


PanBlast™ AirStop II Electric Remote Control Handle Assembly -

Stock Code	Description	Weight
BAC-RC-0356-02	AirStop II Electric Control Handle	0.52kg (1.14lbs)

PanBlast™ AirStop II Electric Remote Control Handle Parts List -

Item	Stock Code	Description	Qty
1	YAC-RC-PB-0168	Shoulder Screw 4.6mm x 37.5mm	1
2	YAC-RC-PB-0166	Lever	1
3	YAC-RC-PB-0170	Lever Spring	1
4	YAC-FN-PB-0141	Lock Nut - M4	2
5	YAC-RC-PB-0178	Bumper Button	1
6	YAC-FN-PB-0220	Socket Head Machine Screw M4 x 30mm LG	3
7	YAC-RC-0359-04	Switch Holder	1
8	BAC-RC-PB-0248	Electric Switch	1
9	YAC-RC-PB-0360	Protector Plate	1
10	YAC-FN-PB-0294	Socket Set Screw Plate Cup M10 x 8mm	1
11	YAC-RC-PB-0358	Base	1
12	YAC-RC-PB-0171	Lever Safety Lock	1
13	YAC-RC-PB-0066	Shoulder Screw x 32mm	1
14	YAC-RC-PB-0169	Lever Lock Spring	1
15	YAC-RC-0488-00	Cable	0.8m
16	YAC-RC-0496-00	Cable Protect	1
17	YAC-RC-0497-00	Half Clamp	1
18	YAC-FN-PB-0137	Machine Screw Philip Head M3 x 35mm LG	2
19	YAC-RC-0495-00	Button Cap	1
20	YAC-FN-PB-0038	Flat Washer 5mm	2



Blast Pots & Cabinets - Remote Control Valves - Abrasive Control Valves - Blast Nozzles - Nozzle Holders & Couplings - Helmets & Breathing Air Filters - Blast Suits