



PanBlast™ HiFlo NPT Exhaust Control Valve

*"Surface Preparation
Is Our Business"*

PanBlast™ HiFlo NPT Exhaust Control Valve

The PanBlast™ NPT HiFlo Exhaust Control Valve is a durable, piston operated type valve, designed for use with blast pot remote control systems utilizing the Sola type control valves (or similar).

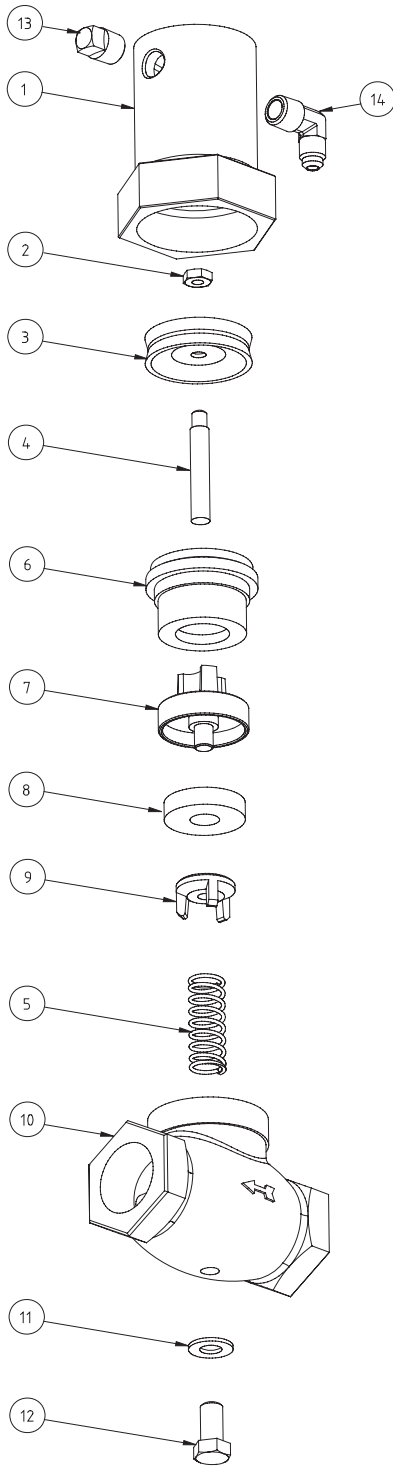
Featuring a lightweight cast aluminium body, the PanBlast™ HiFlo NPT Exhaust Control Valve also has powdercoated outer surfaces, along with anodized coating of the internal surfaces. These design features combine to provide a valve with excellent resistance to corrosion.

The PanBlast™ HiFlo NPT Exhaust Control Valve also features 25mm (1") ports for faster blast pot depressurization times and all HiFlo valve parts and services kits are fully compatible with the OEM products.



PanBlast™ HiFlo NPT Exhaust Control Valve Assembly -

Stock Code	Description	Weight
BAC-RC-PB-0197	HiFlo NPT Exhaust Control Valve Assembly	0.8kg (1.76lbs)



PanBlast™ HiFlo NPT Exhaust Control Valve Parts List -

Item	Stock Code	Description	Qty
1	YAC-RC-PB-0198	Base	1
2	YAC-FN-PB-0228	Nut 1/4" UNC	1
3	YAC-RC-PB-0199	Rubber Piston	1
4	YAC-RC-PB-0200	Piston Rod	1
5	YAC-RC-PB-0201	Spring	1
6	YAC-RC-PB-0202	Piston Rod Guide	1
7	YAC-RC-PB-0203	Rubber Seat	1
8	YAC-RC-PB-0204	Rubber Seal	1
9	YAC-RC-PB-0205	Seal Cover	1
10	YAC-RC-PB-0206	Body	1
11	YAC-FN-PB-0258	Flat Washer	1
12	YAC-FN-PB-0229	Hex Head Machine Screw 3/8" UNC x 19mm LG	1
13	YAC-PF-PB-0214	Square Head Plug	1
14	YAC-PF-PB-0215	Elbow 1/4"M NPT x 7/16"M UNF	1

PanBlast™ HiFlo NPT Exhaust Control Valve Service Kits -

Stock Code	Description
BAC-RC-PB-0259	HiFlo NPT Exhaust Service Kit - Includes items 5, 7, 8 & 9

